



Hartford Mall Investment for Sale

110 W. Highway 38 Hartford, SD, 57033



Investment Mall for Sale in Hartford, South Dakota.
 Mall includes 9 suites totaling 16,902+/- square feet. Great tenant mix which includes sports bar, hair salon, physical therapy, laundry mat, NAPA Auto Store and more.
 Located in a high traffic retail area adjacent to the Sunshine grocery store. Abundant parking available. Free standing monument sign included.
 Additional land to the North could accommodate additional building or storage units.
 Suite D, E, G are Available.
 See broker for rents and expenses

FOR SALE

Price

\$899,000
Addl. Pricing:

Details

Type: Retail, Office, Investment
Available: Immediately
Zoning: Commercial
Year Built: 1995
Stories: 1
Baths: 3+
No. Units: 9
Construction: Frame
Roof: Composition
Heat: Unit Heater
Heat Source: Natural Gas
Air Conditioning : Central
Showing Instructions: Call Broker
Possession: Negotiable
Access: City Street
 Very high traffic and high visibility located adjacent to the Sunshine grocery store.
 Great tenant mix which includes sports bar, hair salon, physical therapy, laundry mat, NAPA Auto Store and more.
 Ample parking
 Free standing monument sign
 Additional land to the north.



Kirby Proehl
 5735 E 41st Street
 Sioux Falls, SD 57110
 Cell: 605-366-8030
 Fax: 605-371-1560
 kirby@harr-lemme.com



Paul Gourley
 5735 E 41st Street
 Sioux Falls, SD 57110
 Cell: 605-359-1968 Cell/Text
 Fax: 605-371-1560
 phgourley@gmail.com

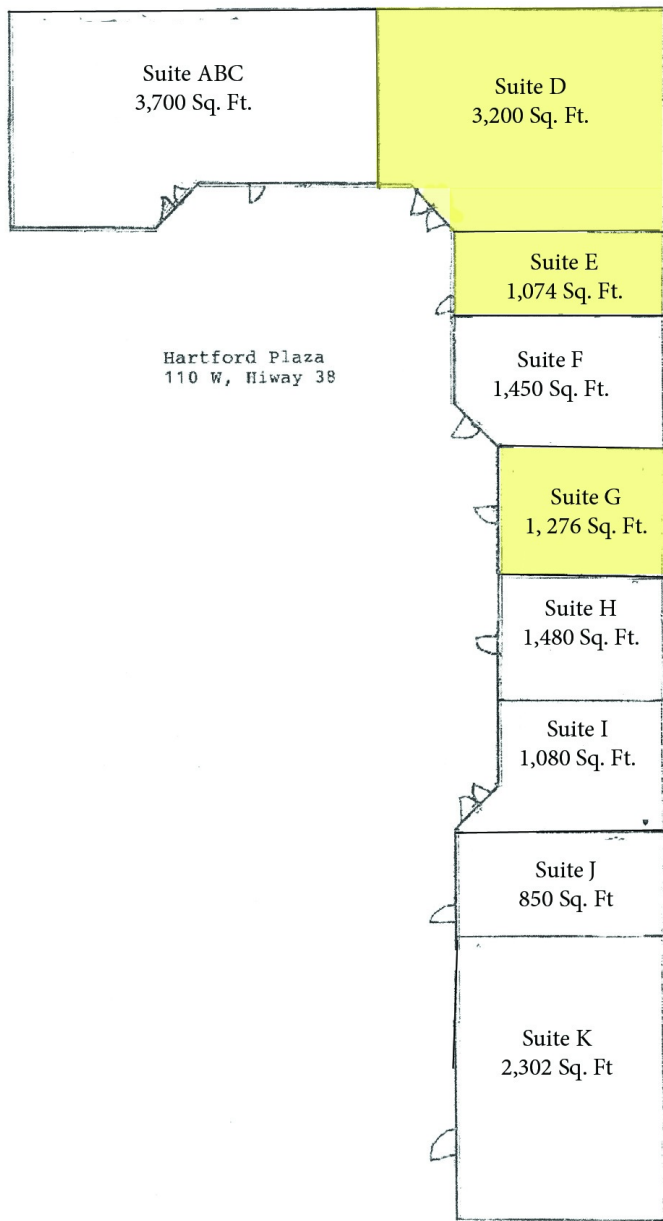
Information deemed reliable but not guaranteed

Additional Photos



Information deemed reliable but not guaranteed

Floor Plan

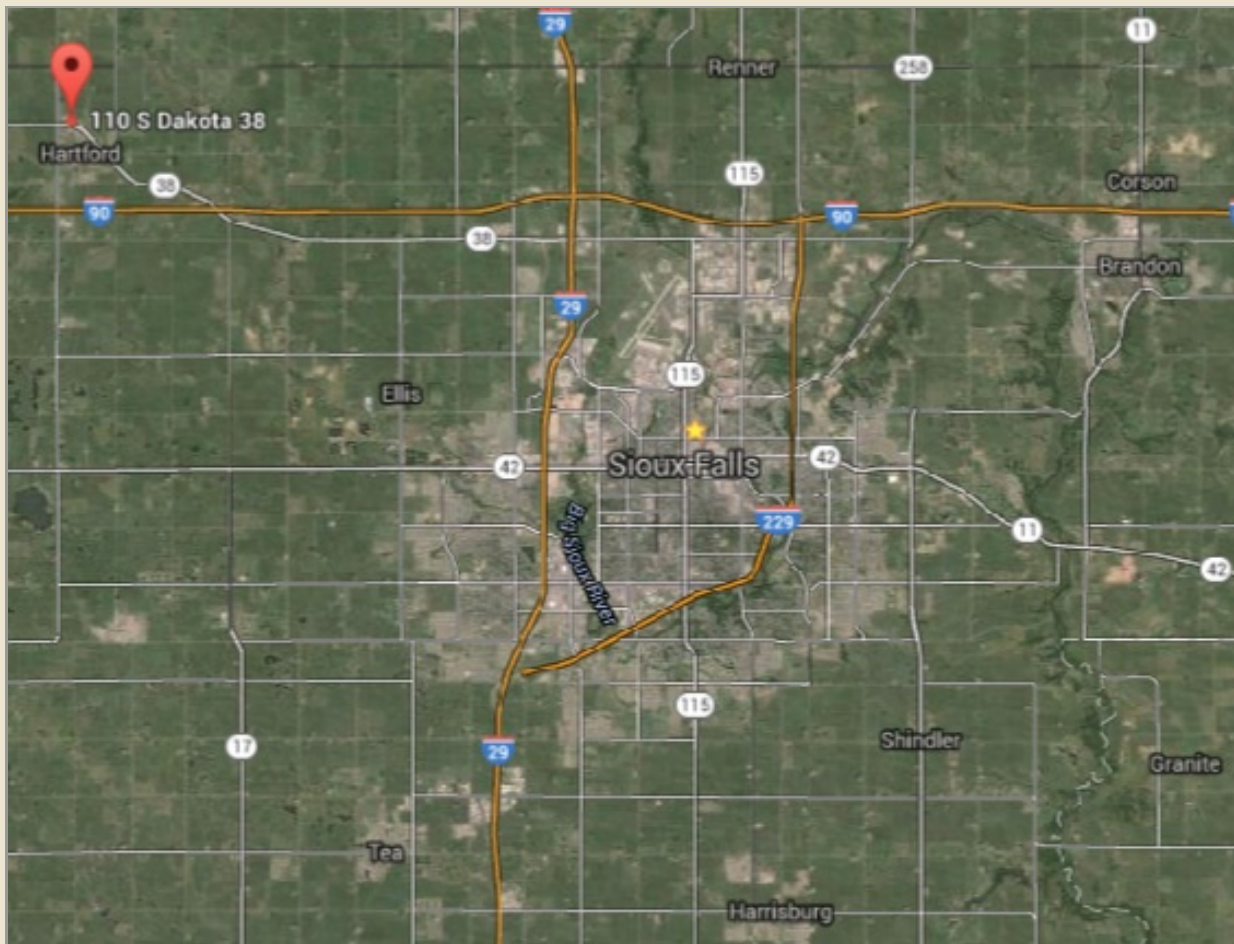
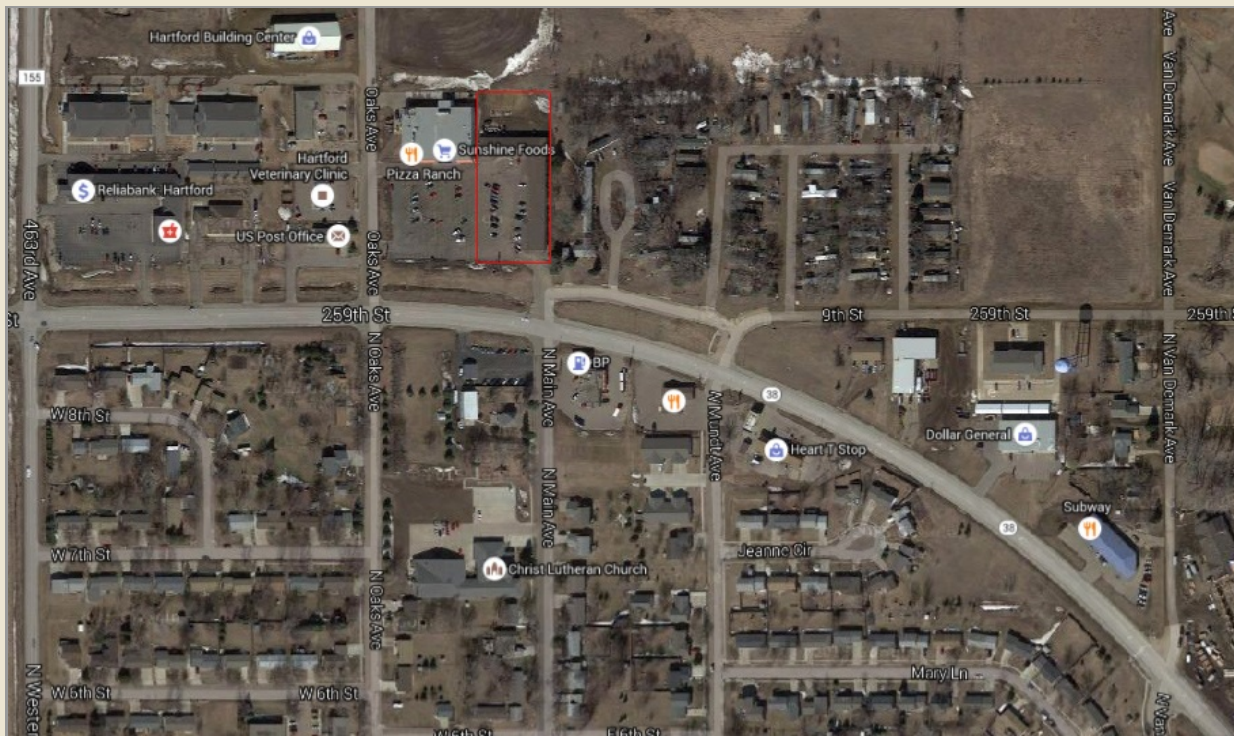


Available

Suite D & E
can be leased separate
or together

Information deemed reliable but not guaranteed

Location



Information deemed reliable but not guaranteed